


Precautions

Please read, keep and follow all safety and use instructions.

Important Safety Instructions.

1. Heed all warnings.
2. Do not overload the box to avoid damage to the speakers.
3. Do not use this product near water. If the box is used outdoors, make sure that no humidity can enter the box.
4. Clean only with a dry cloth.
5. Do not block any ventilation openings. Install in accordance with the manufacturer's instructions.
6. Do not install near any heat sources such as radiators, heat registers, stoves or similar (including amplifiers).
7. Do not defeat the safety purpose of the polarized or grounding-type plug. A polarized plug has two blades with one wider than the other. A grounding-type plug has two blades and a third grounding prong. The wider blade or third prong is provided for your safety. If the provided plug does not fit in your outlet, consult an electrician for replacement of the obsolete outlet.
8. Protect the power cord from being walked on or pinched, particularly at plugs, convenience receptacles, and the point where it exits from this product.
9. Only use attachments/accessories specified by the manufacturer.
10.  Use only with the cart, stand, tripod, bracket or table specified by the manufacturer or sold with the product. When a cart is used, use caution when moving the cart/product combination to avoid injury from tip-over.
11. Unplug this product during lightning storms or when unused for long periods of time.
12. Refer all servicing to qualified personnel. Servicing is required when the product has been damaged in any way such as power-supply cord or plug is damaged, liquid has been spilled or objects have fallen into the product, the product has been exposed to rain or moisture, does not operate normally, or has been dropped.

WARNINGS/CAUTIONS:



This symbol on the product means there is uninsulated, dangerous voltage within the product enclosure that may present a risk of electrical shock.



This symbol on the product means there are important operating and maintenance instructions in this guide.

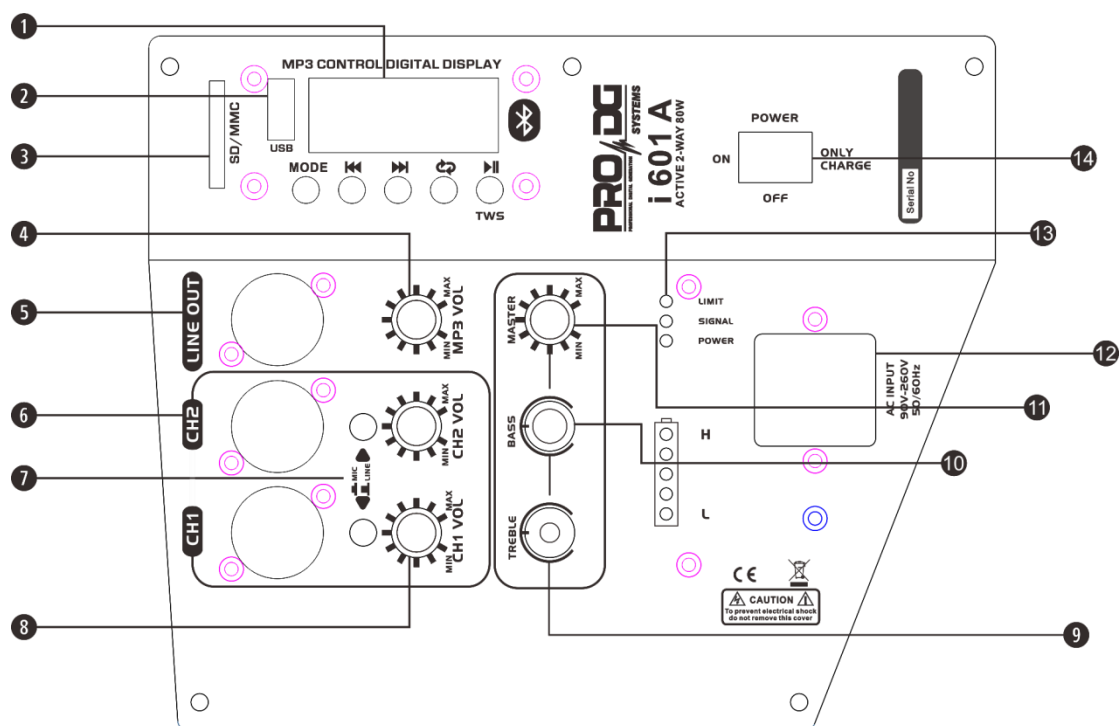


This product contains magnetic material. Consult your doctor on whether this might affect your implantable medical device.

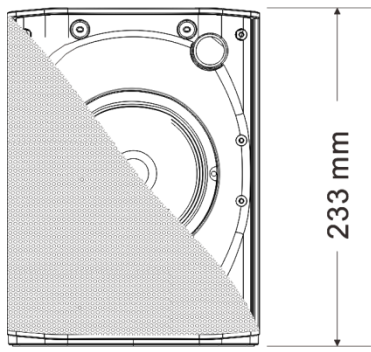


Contains small parts which may be a choking hazard. Not suitable for children under age 3.

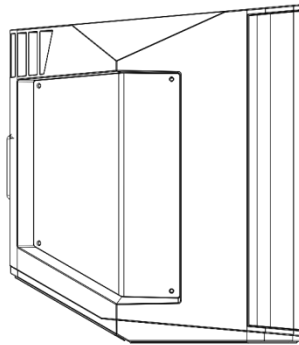
System Setup Connections and Controls



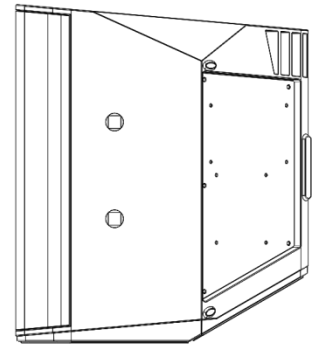
- 1 LCD Display: Mode switch button, pause button, single cycle button, fast forward and reverse switch button.
- 2 USB: Insert the USB into the card slot to play the stored music.
- 3 SD: Put it in the SD card slot and play the stored music.
- 4 MP3 Control: Adjust the volume of MP3.
- 5 Line Output: Use a XLR cable to connect the line-level output to the Channel 1 or 2 input of a second i 601 A to create a mono, two-loudspeaker setup.
Note: Line Out is post mix.
- 6 Channel Input: Analog input for connecting microphone and instrument (XLR/6.35 jack) cables.
- 7 Select Button: Press the button to select your guitar or instrument.
- 8 Volume Control: Adjust the volume of your microphone, instrument or audio source.
- 9 Treble Control: Adjust the high-frequency balance of your microphone or instrument.
- 10 Bass Control: Adjust the low-frequency balance of your microphone or instrument.
- 11 Master Control: Adjust the overall output level of the speaker system.
- 12 Power Cord Connector: Connect the power cord to start setting the volume and playing music.
- 13 Power/Signal/Clip Indicator: Displays the input signal status in color.
Green: Power on
Yellow: Signal present
Red: Signal clipping
Note: Reduce the corresponding volume control to prevent signal clipping.
- 14 Power Supply: The main power switch.



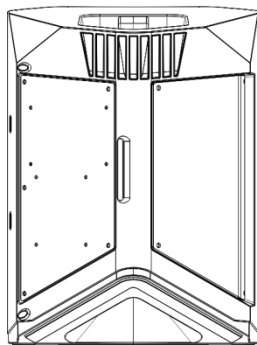
Front view



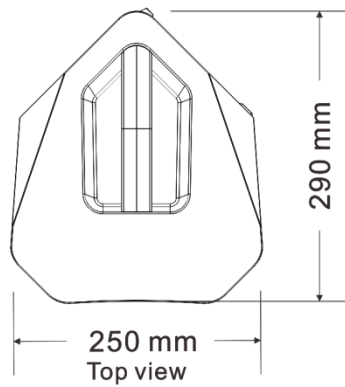
Left view



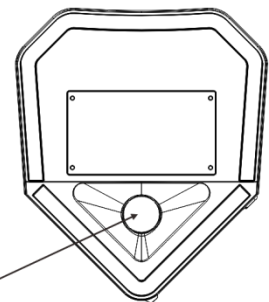
Right view



Rear view



250 mm
Top view



Bottom view

35mm Role Mount

Optional accessories



Wall Mount bracket for i 601 A.



Fit 35 mm / 1.37" speaker mount socket



Steel reinforced leg housing & Adjust tripod design



Anti-off nuts & 4mm screw brace



4mm screw brace & Sealed Main Tube



Steel reinforced tube collar & Locking mechanism



Sealed legs



Exclusive Roll Ball Design & Enhanced Non-Slip Feet



Feet completely grounding More stable



Rubber band with safety pin



Tripod stand for i 601 A.

Technical Specifications	i 601 A
Power Handling	320 W peak / 160 W program / 80 W RMS
Nominal Impedance	4 Ohm
Average Sensitivity	95dB / 2.83V / 1m (average of 80-16.000 Hz wideband)
Maximum SPL (1m, free space)	105 dB
Frequency Range	+/-3 between 60 Hz - 18 kHz
Nominal Directivity	120° of horizontal coverage, 90° of vertical coverage
Low / Mid Frequency Driver	One (1) coaxial speaker of 6.5"
High Frequency Driver	0.8" dome tweeter
Amplifier	Last generation Class-D amplifier
Rigging Points	2 x M8
Connectors	2 XLR / Jack input channels with mic and line switch + XLR Link
Controls	3 Mixer Channels and 2 Mic Preamps, 2-Band Channel EQ, Bluetooth & TWS function, USB into the card slot to play the stored music.
Power Supply	110~240V 50/60HZ
Battery	Rechargeable Lithium-ion battery 1300mAh. Up to 4 hours of use in normal volume
Acoustic Enclosure	Reinforced polypropylene plastic
Finish	Special paint finish in black
Grille	0.8mm thickness metal grille with 3mm acoustic foam
Mounting Options	35mm pole mount, Tilt-back (30° angle), Floor Monitor (45° angle), Wall or ceiling mount with bracket
Cabinet Dimensions	(HxWxD); 235x250x290mm (9.25"x9.84"x11.42")
Weight	7.25 Kg (15.98 lbs) net / 8 Kg (17.64 lbs) with packaging